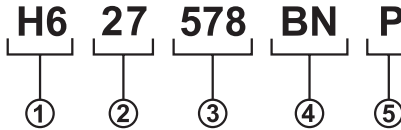


# Surge Arrestor



## Model Code



### ① Type

H6 - Surge Arrestor

### ② Operating Pressure

27 - (275 psi)  
50 - (500 psi)

### Port configuration

275 psi 3" 150# ANSI Flange  
500 psi 4" 300# ANSI Flange

### ③ Size

578 - 9.46L (2.5 USgal.)  
05G - 18.9L (5 USgal.)  
10G - 37.9L (10 USgal.)  
25G - 94.6L (25 USgal.)  
40G - 151L (40 USgal.)  
80G - 303L (80 USgal.)  
100G - 378.5L (100 USgal.)  
120G - 454L (120 USgal.)

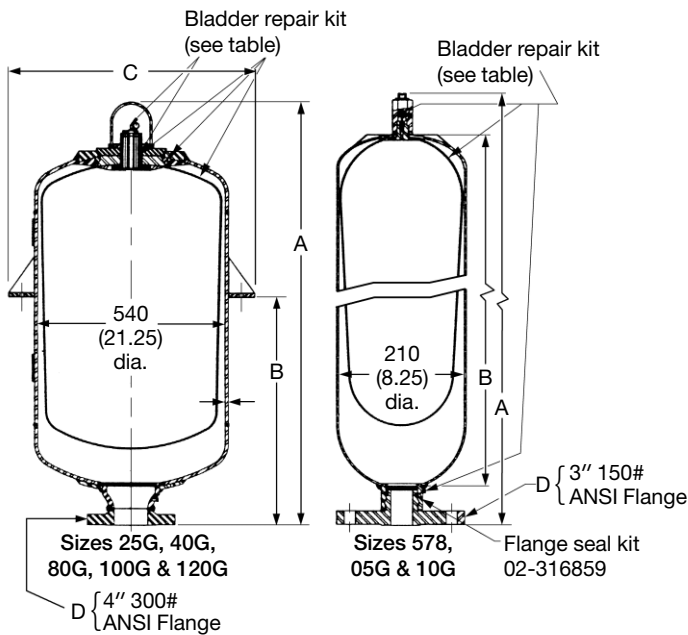
### ④ Bladder Material

BN - Buna-N (std.)  
VT - Viton  
BL - Butyl  
EP - EPR  
CW - Cold weather  
HL - Hydrin

### ⑤ Service

P - Petroleum oil  
W - Water  
S - Stainless steel

## Installation Dimensions



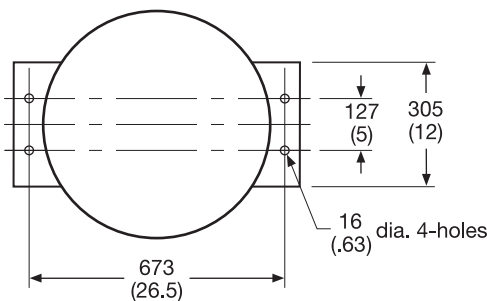
### Surge Arrestors - 275 PSI (500 PSI also Available)

Size	Gas Volume (Gal.)	Gas Volume (In <sup>3</sup> )	A (In.)	B (In.)	D (ANSI Flange)	Weight (Lbs.)
2.5	580	16.875	8.25	3 - 150#	30	
5	1164	28.875	8.25	3 - 150#	42	
10	2310	50.625	8.25	3 - 150#	68	

### Large Capacity Surge Arrestors - 275 PSI (500 PSI also Available)

Size	Gas Volume (Gal.)	Gas Volume (In <sup>3</sup> )	A (In.)	B (In.)	C (In.)	D (ANSI Flange)	Weight (Lbs.)
25	5780	35.5625	22	28	4 - 300#	310	
40	9240	43.3125	22	28	4 - 300#	368	
80	18480	64.25	22	28	4 - 300#	650	
100	23100	83.8125	22	28	4 - 300#	875	
120	27720	101.3125	22	28	4 - 300#	1000	

Caution: Standard manufacturing tolerances should be taken into account when designing system.



### Bladders

Model	Part Number
A 578 BN	02-316851
A 05G BN	02-316852
A 10G BN	02-316853
B 25G BN	02-316854
B 40G BN	02-316855
B 80G BN	02-316856
B 100G BN	02-316857
B 120G BN	02-316858