



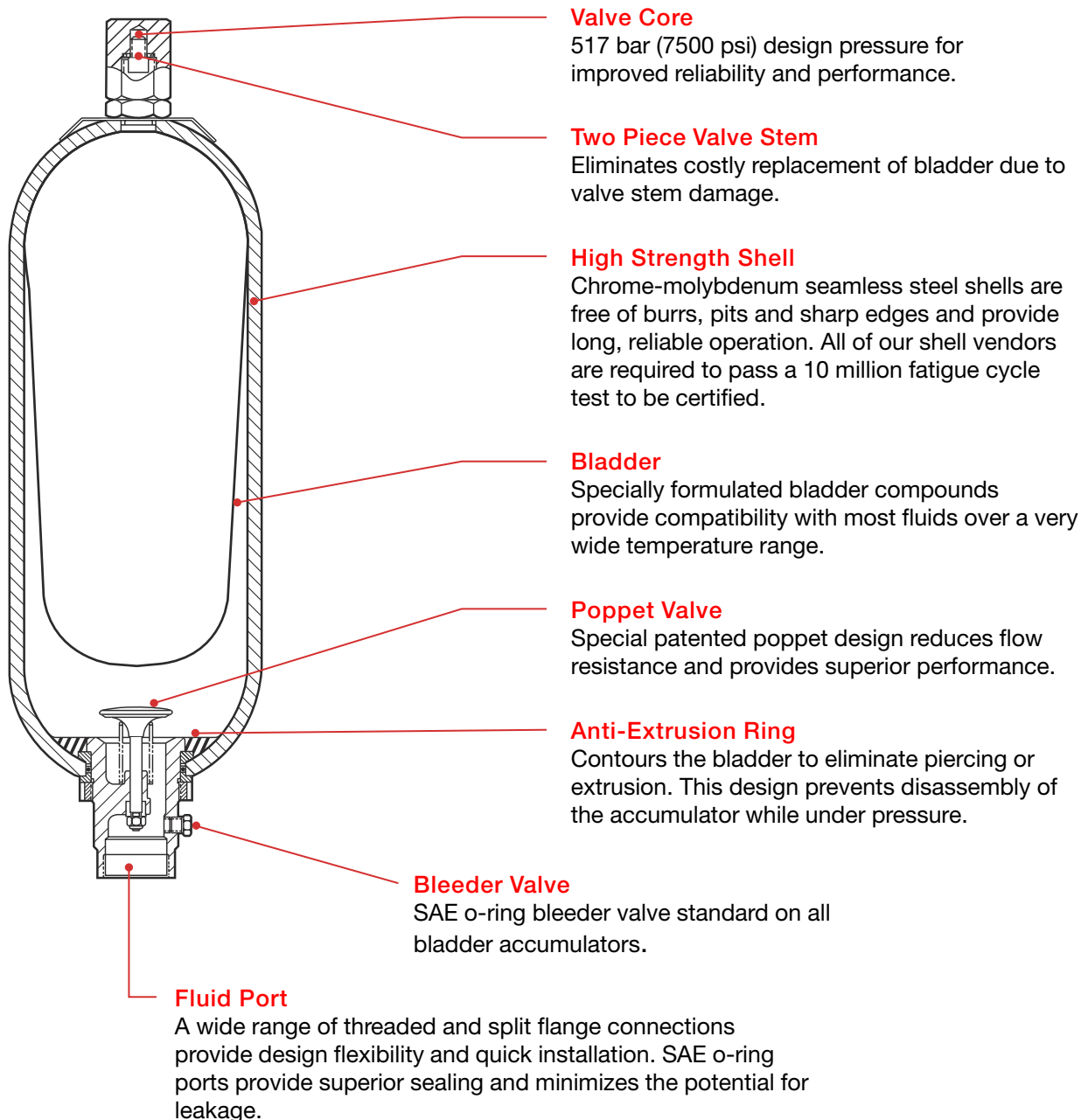
BLADDER ACCUMULATORS

Bladder Accumulators



Features and Benefits

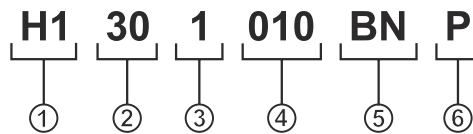
- Meets A.S.M.E. specifications with a 4:1 safety factor.
- Also available with foreign certifications.
- Interchangeable with many Competitors units.
- Specially formulated bladder compounds provide very low permeability for longer intervals between recharging.
- Top repairable models enable quick and easy service without removal from the manifold or line.



Bottom Repairable



Model Code



① Type

H1 - Standard, bottom repairable

② Pressure Rating

30 - (3000 psi)
50 - (5000 psi)

③ Port configuration

1 - NPT (not recommended)
2 - SAE
3 - SPF

④ Size

010 - 0.16L (10 in³)
030 - 0.473L (1 US pint)
060 - 0.946L (1 US quart)
230 - 3.79L (1 USgal.)
578 - 9.46L (2.5 USgal.)
05G - 18.9L (5 USgal.)
10G - 37.9L (10 USgal.)
11G - 41.62L (11 USgal.)
15G - 56.8L (15 USgal.)

⑤ Bladder Material

BN - Buna-N (std.)
VT - Viton
BL - Butyl
EP - EPR
CW - Cold weather
HL - Hydrin

⑥ Service

P - Petroleum oil
W - Water
S - Stainless steel
SPC - Special

Bladder Accumulators

- Accumulator parts are interchangeable with accumulators produced by other manufactures.
- Accumulator cannot be disassembled under pressure.

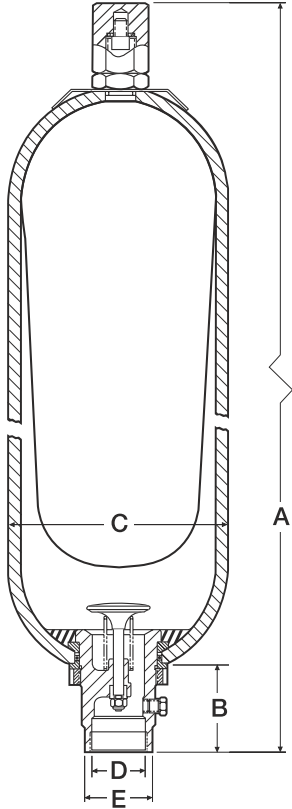
Major Component	Standard Material	Material Options*	Features
Shell	Chrome-Molybdenum Steel, SA-372 TYPE V, GR. I or II.	<ul style="list-style-type: none"> • Electroless-Nickel Plating 1.2 Mil. • Phenolic Resin Coating 	<ul style="list-style-type: none"> • Meets 4:1 safety requirements. • Homogenous seamless shell. • Integral pressure relief. • Available with foreign or domestic codes.
Bladder Assembly	Buna-Nitrile	<ul style="list-style-type: none"> • Butyl • Viton • EPR • Cold Weather • Hydrin 	<ul style="list-style-type: none"> • Fully enclosed bladder. • Molded steel valve stem. • Temperature range of Buna: -45° to 180° F.
Oil Port Assembly	AISI 4130	<ul style="list-style-type: none"> • Electroless-Nickel Plating • SA351, GR. CF8M, Stainless 	<ul style="list-style-type: none"> • Design has over 40 years of proven reliability,

*Some material options are at extra cost.

Bottom Repairable



Installation Dimensions



Standard Bladder Accumulator - 3000 PSI

Size (Gal.)	Gas Volume (In ³)	A (In.)	B (In.)	C (In.)	D (NPT)	E (In.)	Weight (Lbs.)
0.04	10	10.5	1.5	2.25	3/4	1.0625	4
0.13	30	9.75	2.125	3.5	3/4	1.25	6
0.25	73	11.5	2.125	4.5	1	1.625	10
1	235	17	3.5	6.75	1 1/4	2.375	34
2.5	600	21	3.5	9.0625	2	3	80
5	1203	33.25	3.5	9.0625	2	3	120
10	2259	54	3.5	9.0625	2	3	220
11	2535	59.5	3.5	9.0625	2	3	240
15	3440	77.5	3.5	9.0625	2	3	305

Standard Bladder Accumulator - 5000 PSI

Size (Gal.)	Gas Volume (In ³)	A (In.)	B (In.)	C (In.)	D (NPT)	E (In.)	Weight (Lbs.)
2.5	600	21.5	3.75	9.5625	2	3	120
5	1203	33.75	3.75	9.5625	2	3	220
10	2259	54.5	3.75	9.5625	2	3	335
15	3440	78	3.75	9.5625	2	3	485

Seal Kits

Model	Part Number
H1 30 060 BN	02-316870
H1 30 230 BN	02-316871
H1 30 578 BN	02-316872
H1 50 15G BN	02-316872

Fluid Port Repair Kits

Model	Part Number
H1 30 C 060 BN	02-316867
H1 30 D 230 BN	02-316868
H1 30 E 578 BN	02-316869
H1 50 E 15G BN	02-316869

Bladders

Model	Part Number
H1 30 060 BN	02-316860
H1 30 230 BN	02-316861
H1 30 578 BN	02-316862
H1 30 05G BN	02-316863
H1 30 10G BN	02-316864
H1 30 15G BN	02-316865
H1 50 578 BN	02-316866

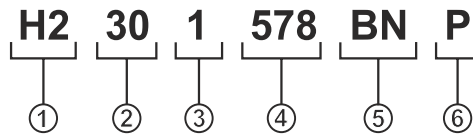
Fluid Port

	1	2	3
	NPT	SAE	SPF
10 cu in Accumulators	3/4"-14	3/4"-16	N/A
1 Pint Accumulators	3/4"-14	1 1/16"-12	N/A
1 Quart Accumulators	1"-11 1/2	1 5/16"-12	N/A
1 Gallon Accumulators	1 1/4"-11 1/2	1 5/8"-12	1 1/4" CODE 61
2.5 to 15 Gal Accumulators	2"-11 1/2	1 7/8"-12	{ 1 1/2" CODE 62 2" CODE 61

Top Repairable



Model Code



① Type

H2 - Accumulator, top repairable

② Pressure Rating

30 - (3000 psi)
50 - (5000 psi)

③ Port configuration

1 - NPT (not recommended)
2 - SAE
3 - SPF

④ Size

578 - 9.46L (2.5 USgal.)
05G - 18.9L (5 USgal.)
10G - 37.9L (10 USgal.)
11G - 41.62L (11 USgal.)
15G - 56.8L (15 USgal.)

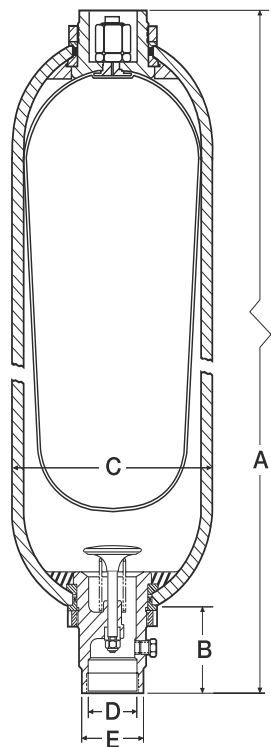
⑥ Service

P - Petroleum oil
W - Water
S - Stainless steel
SPC - Special

⑤ Bladder Material

BN - Buna-N (std.)
VT - Viton
BL - Butyl
EP - EPR
CW - Cold weather
HL - Hydrin

Installation Dimensions



Conventional Style Top Bladder Accumulator - 3000 PSI

Size (Gal.)	Gas Volume (In ³)	A (In.)	B (In.)	C (In.)	D (NPT)	E (In.)	Weight (Lbs.)
2.5	600	21	3.5	9.0625	2	3	80
5	1203	33.25	3.5	9.0625	2	3	120
10	2259	54	3.5	9.0625	2	3	220
11	2535	59.5	3.5	9.0625	2	3	240
15	3440	77.5	3.5	9.0625	2	3	305

Conventional Style Top Bladder Accumulator - 5000 PSI

Size (Gal.)	Gas Volume (In ³)	A (In.)	B (In.)	C (In.)	D (NPT)	E (In.)	Weight (Lbs.)
2.5	600	21.5	3.5	9.562	2	3	120
5	1203	33.75	3.5	9.562	2	3	220
10	2259	54.5	3.5	9.562	2	3	335
15	3440	78	3.5	9.562	2	3	485

Seal Kits	
Model	Part Number
H2 30 578 BN	02-316872
H2 50 15G BN	02-316872

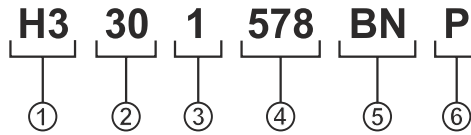
Fluid Port Repair Kits	
Model	Part Number
H2 30 E 578 BN	02-316869
H2 50 E 15G BN	02-316869

Bladders	
Model	Part Number
H2 30 578 BN	02-316862
H2 30 05G BN	02-316863
H2 30 10G BN	02-316864
H2 30 15G BN	02-316865
H2 50 578 BN	02-316866

High Flow Accumulator



Model Code



① Type

H3 - Accumulator, high flow

② Pressure Rating

30 - (3000 psi)

③ Port configuration

- 1 - NPT (not recommended)
- 2 - SAE
- 3 - SPF

④ Size

- 578 - 9.46L (2.5 USgal.)
- 05G - 18.9L (5 USgal.)
- 10G - 37.9L (10 USgal.)
- 11G - 41.62L (11 USgal.)
- 15G - 56.8L (15 USgal.)

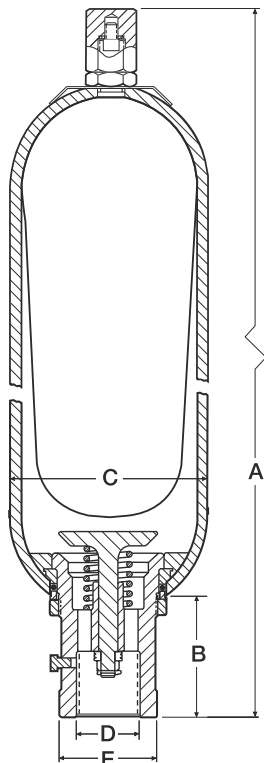
⑤ Bladder Material

- BN - Buna-N (std.)
- VT - Viton
- BL - Butyl
- EP - EPR
- CW - Cold weather
- HL - Hydrin

⑥ Service

- P - Petroleum oil
- W - Water
- S - Stainless steel
- SPC - Special

Installation Dimensions



Fluid Port
H3-1 (4¼"-8 UN-2 SAE)
H3-2 (4"-8 NPT)

High Flow Bladder Accumulators - 3000 PSI

Size (Gal.)	Gas Volume (In ³)	A (In.)	B (In.)	C (In.)	Weight (Lbs.)
2.5	600	22.5	5.375	9.0625	80
5	1203	34.75	5.375	9.0625	120
10	2259	55.5	5.375	9.0625	220
11	2535	61.0	5.375	9.0625	240
15	3440	79.0	5.375	9.0625	305

Fluid Port Repair Kits

Model	Part Number
H3 30 A 578 BN	02-316874
H3 30 A 15G BN	02-316874

Seal Kits

Model	Part Number
H3 30 578 BN	02-317650
H3 30 15G BN	02-317650

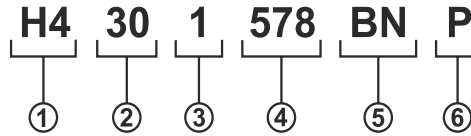
Bladders

Model	Part Number
H3 30 578 BN	02-316682
H3 30 05G BN	02-316683
H3 30 10G BN	02-316684
H3 30 15G BN	02-316685

Transfer Barrier Accumulator



Model Code



① Type

H4 - Accumulator, transfer barrier

② Pressure Rating

30 - (3000 psi)
50 - (5000 psi)

③ Port configuration

1 - NPT (not recommended)
2 - SAE
3 - SPF

④ Size

578 - 9.46L (2.5 USgal.)
05G - 18.9L (5 USgal.)
10G - 37.9L (10 USgal.)
11G - 41.62L (11 USgal.)
15G - 56.8L (15 USgal.)

⑤ Bladder Material

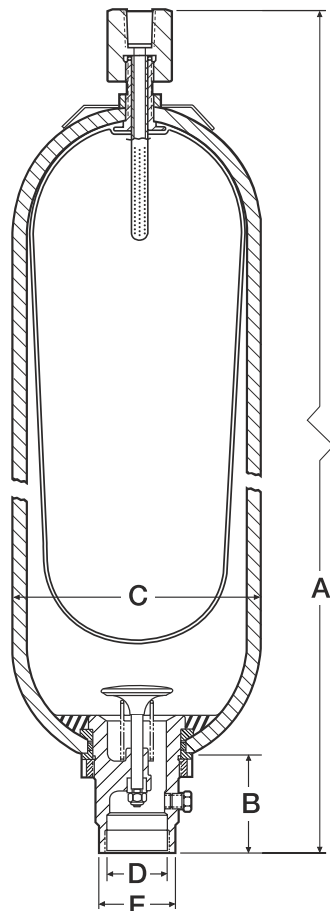
BN - Buna-N (std.)
VT - Viton
BL - Butyl
EP - EPR
CW - Cold weather
HL - Hydrin

⑥ Service

P - Petroleum oil
W - Water
S - Stainless steel

Installation Dimensions

Transfer Barrier Accumulator - 3000 PSI



Size (Gal.)	Gas Volume (In ³)	A (In.)	B (In.)	C (In.)	D (NPT)	E (In.)	Weight (Lbs.)
2.5	600	21.5	3.5	9.0625	2	3	80
5	1203	33.75	3.5	9.0625	2	3	120
10	2259	54.5	3.5	9.0625	2	3	220
11	2535	60.0	3.5	9.0625	2	3	240
15	3440	78.0	3.5	9.0625	2	3	305

Transfer Barrier Accumulator - 5000 PSI

Size (Gal.)	Gas Volume (In ³)	A (In.)	B (In.)	C (In.)	D (NPT)	E (In.)	Weight (Lbs.)
2.5	600	22.0	3.75	9.5625	2	3	120
5	1203	34.5	3.75	9.5625	2	3	220
10	2259	55.0	3.75	9.5625	2	3	335
15	3440	79.0	3.75	9.5625	2	3	485

Fluid Port Repair Kits

Model	Part Number
H4 30 E 578 BN	02-316869
H4 50 E 15G BN	02-316869

Seal Kits

Model	Part Number
H4 30 578 BN	02-316872
H4 50 15G BN	02-316872

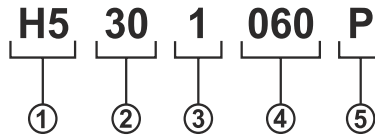
Bladders

Model	Part Number
H4 30 578 BN	02-317651
H4 30 05G BN	02-317652
H4 30 10G BN	02-317653
H4 30 15G BN	02-317654
H4 50 578 BN	02-317655

Gas Bottle



Model Code



① Type

H5 - Gas bottle

② Pressure Rating

30 - (3000 psi)

50 - (5000 psi)

③ Port configuration

1 - NPT (not recommended)

2 - SAE

3 - SPF

④ Size

060 - 0.946L (1 US quart)

230 - 3.79L (1 USgal.)

578 - 9.46L (2.5 USgal.)

05G - 18.9L (5 USgal.)

10G - 37.9L (10 USgal.)

11G - 41.62L (11 USgal.)

15G - 56.8L (15 USgal.)

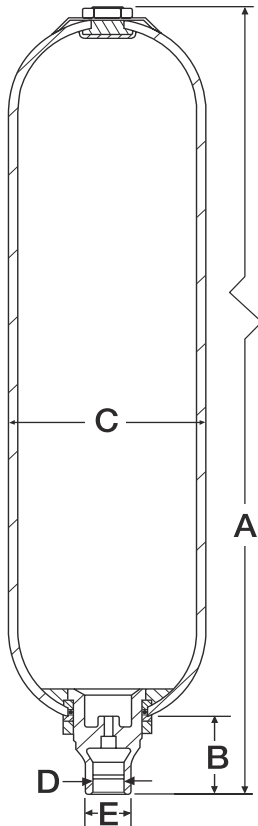
⑤ Service

P - Petroleum oil

W - Water

S - Stainless steel

Installation Dimensions



Gas Bottles - 3000 PSI

Size (Gal.)	Gas Volume (In ³)	A (In.)	B (In.)	C (In.)	D (NPT)	Weight (Lbs.)
1	235	17.0	3.5	6.75	1¼	34
2.5	600	21.0	3.5	9.0625	2	80
5	1203	33.25	3.5	9.0625	2	120
10	2259	54.0	3.5	9.0625	2	220
11	2535	59.5	3.5	9.0625	2	240
15	3440	77.5	3.5	9.0625	2	305

Gas Bottles - 5000 PSI

Size (Gal.)	Gas Volume (In ³)	A (In.)	B (In.)	C (In.)	D (NPT)	Weight (Lbs.)
2.5	600	21.0	3.75	9.5625	2	120
5	1203	33.75	3.75	9.5625	2	220
10	2259	54.5	3.75	9.5625	2	335
15	3440	78.0	3.75	9.5625	2	485

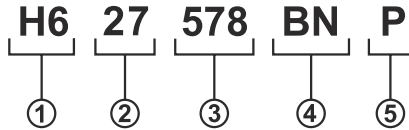
Seal Kits

Model	Part Number	Model	Part Number
H5 30 060 BN	02-316870	H5 30 578 BN	02-316872
H5 30 230 BN	02-316871	H5 50 15G BN	02-316872

Surge Arrestor



Model Code



① Type

H6 - Surge Arrestor

② Operating Pressure

27 - (275 psi)
50 - (500 psi)

Port configuration

275 psi 3" 150# ANSI Flange
500 psi 4" 300# ANSI Flange

③ Size

578 - 9.46L (2.5 USgal.)
05G - 18.9L (5 USgal.)
10G - 37.9L (10 USgal.)
25G - 94.6L (25 USgal.)
40G - 151L (40 USgal.)
80G - 303L (80 USgal.)
100G - 378.5L (100 USgal.)
120G - 454L (120 USgal.)

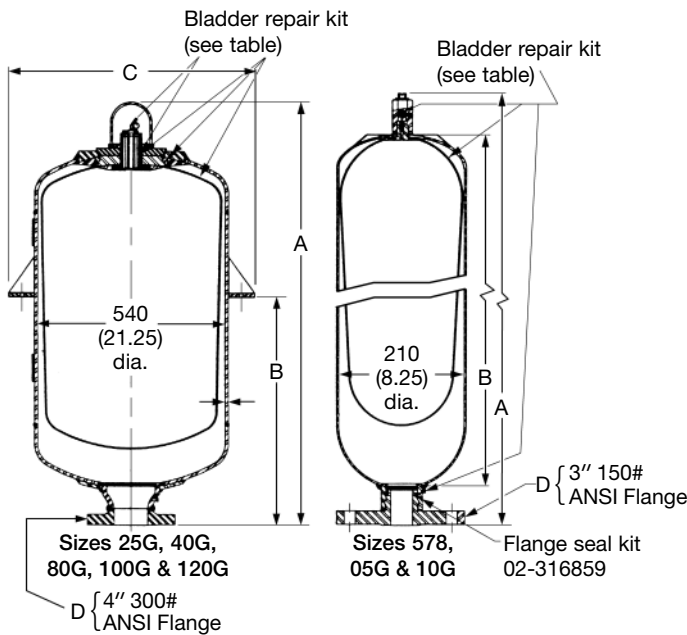
④ Bladder Material

BN - Buna-N (std.)
VT - Viton
BL - Butyl
EP - EPR
CW - Cold weather
HL - Hydrin

⑤

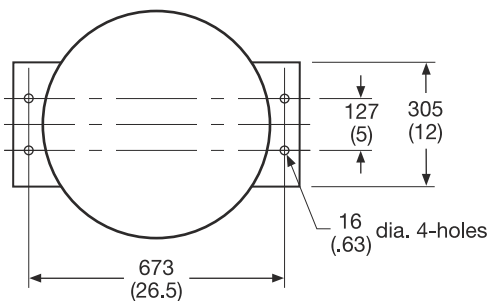
Installation Dimensions

Surge Arrestors - 275 PSI (500 PSI also Available)



Size (Gal.)	Gas Volume (In ³)	A (In.)	B (In.)	D (ANSI Flange)	Weight (Lbs.)
2.5	580	16.875	8.25	3 - 150#	30
5	1164	28.875	8.25	3 - 150#	42
10	2310	50.625	8.25	3 - 150#	68

Size (Gal.)	Gas Volume (In ³)	A (In.)	B (In.)	C (In.)	D (ANSI Flange)	Weight (Lbs.)
25	5780	35.5625	22	28	4 - 300#	310
40	9240	43.3125	22	28	4 - 300#	368
80	18480	64.25	22	28	4 - 300#	650
100	23100	83.8125	22	28	4 - 300#	875
120	27720	101.3125	22	28	4 - 300#	1000



Bladders

Model	Part Number
A 578 BN	02-316851
A 05G BN	02-316852
A 10G BN	02-316853
B 25G BN	02-316854
B 40G BN	02-316855
B 80G BN	02-316856
B 100G BN	02-316857
B 120G BN	02-316858

Mounting Brackets, Saddles and Gauge Assemblies

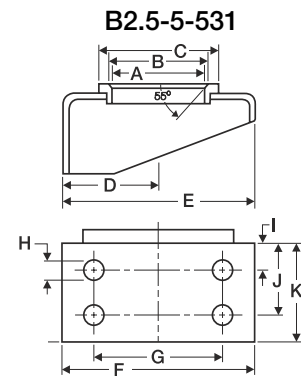
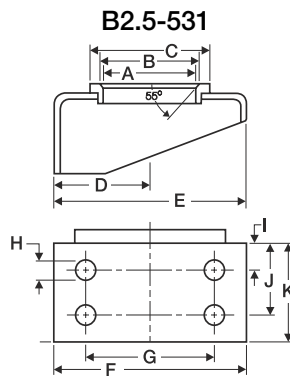
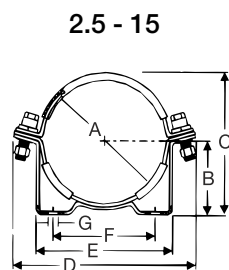
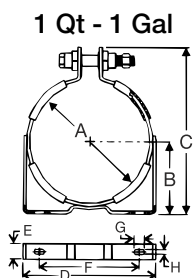


Bracket Dimensions

Model	A (In.)	B (In.)	C (In.)	D (In.)	E (In.)	F (In.)	G (In.)	H (In.)
MB30060	4.55	2.61	6.7	5.2	1.2	3.9	0.5	0.375
MB30230	6.8	3.83	8.9	7.87	1.2	6.4	0.5	0.375
MB30578-15	8.9	4.84	9.57	11.61	10.63	8.5	0.59	N/A
MB50578-15	9.65	5.23	10.27	12.2	10.2	8.5	0.56	N/A

Saddle Dimensions (Including Rubber Seat)

Model	A (In.)	B (In.)	C (In.)	D (In.)	E (In.)	F (In.)	G (In.)	H (In.)	I (In.)	J (In.)	K (In.)
MS30578-15	6.25	6.69	7.87	4.84	8.86	10.2	7.88	0.67	1.38	2.95	3.94
MS50578-15	6.25	6.69	7.87	5.1	9.0	10.2	7.88	0.75	1	2.70	3.9

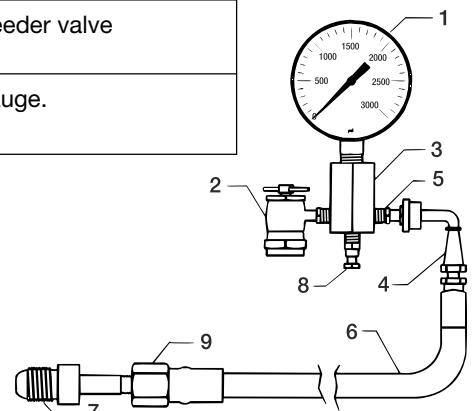


Charging and Gauging Assembly

Part No.	Description
OHCG-3000 OHCG-5000	Charging and Gauging Assembly for standard accumulators consists of 10' charging hose with standard right-hand thread nitrogen fitting.
OHT-CG-3000 OHCG-5000	Charging and Gauging Assembly for top repairable accumulators, 3000 PSI. Charging and Gauging Assembly for top repairable and standard accumulators, 5000 PSI.
OHCG-3014 OHCG-5014	Head Assembly consisting of adaptor incorporating tank valve, bleeder valve and air chuck (less gauge).
OHCG-3013 OHCG-5013	Gauging and Head Assembly consisting of head assembly plus gauge.

Charging and Gauging Parts List

Description	Part No.	Description	Part No.
1 - Gauge 3000#	OHCG- 3001	6 - Hose	OHCG- 3007
2 - Air Chuck	OHCG- 3002	7 - Gland	OHCG- 3008
3 - Adaptor	OHCG- 3003	8 - Bleeder Valve	OHCG- 3009
4 - Swivel Connection	OHCG- 3004	9 - Nut	OHCG- 3011
5 - Tank Valve	OHCG- 3005		



Charging and Gauging Assemblies and Components

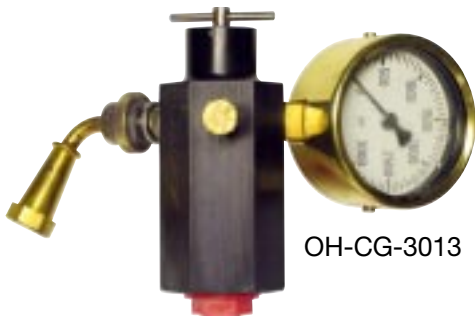
Item#	Description	Part#
1	Complete Assembly 3000# (Includes Gauge)	OH-3000
2	Air Chuck	OH-3002
3	Adapter	OH-3003
4	Swivel Connector	OH-3004
5	Bleeder Valve	OH-3009
6	Gauging & Head Assembly 3000# (Includes Gauge)	OH-3013
7	Head Assembly (No Gauge)	OH-3014
8	Gauging & Head Assembly 5000# (Includes Gauge)	OH-5013
9	Complete Assembly 5000# (Includes Gauge)	OH-5000
10	Valve Extension (For Conv. Top Repairable Accumulator)	T-OH-3015
11	Gauging Head Assembly for Conv. Top Repairable Accumulator	T-OH-3013
12	Charging & Gauging Assembly for Conventional Top Repairable	T-OH-3000
13	1 Quart Charging & Gauging Assembly	OH-QT-3000



OH-302



OH11-501



OH-CG-3013



OH11-502



OH11-503-1



396 West Main Street • Portage, Ohio 43451
PH (419) 686-1108 • Fax (419) 686-1110
www.ogdenhydraulics.com
rogden@ogdenhydraulics.com