

Mounting Brackets, Saddles and Gauge Assemblies

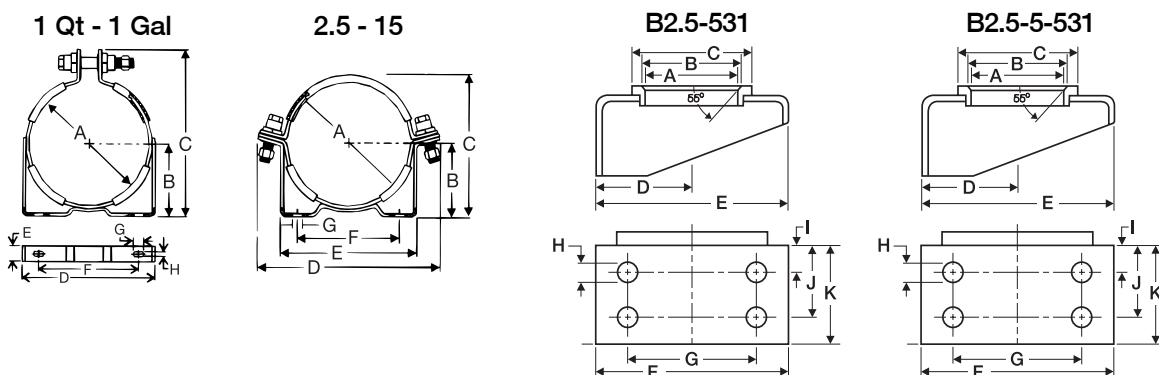


Bracket Dimensions

Model	A (In.)	B (In.)	C (In.)	D (In.)	E (In.)	F (In.)	G (In.)	H (In.)
MB30060	4.55	2.61	6.7	5.2	1.2	3.9	0.5	0.375
MB30230	6.8	3.83	8.9	7.87	1.2	6.4	0.5	0.375
MB30578-15	8.9	4.84	9.57	11.61	10.63	8.5	0.59	N/A
MB50578-15	9.65	5.23	10.27	12.2	10.2	8.5	0.56	N/A

Saddle Dimensions (Including Rubber Seat)

Model	A (In.)	B (In.)	C (In.)	D (In.)	E (In.)	F (In.)	G (In.)	H (In.)	I (In.)	J (In.)	K (In.)
MS30578-15	6.25	6.69	7.87	4.84	8.86	10.2	7.88	0.67	1.38	2.95	3.94
MS50578-15	6.25	6.69	7.87	5.1	9.0	10.2	7.88	0.75	1	2.70	3.9



Charging and Gauging Assembly

Part No.	Description
OHCG-3000 OHCG-5000	<i>Charging and Gauging Assembly</i> for standard accumulators consists of 10' charging hose with standard right-hand thread nitrogen fitting.
OHT-CG-3000 OHCG-5000	<i>Charging and Gauging Assembly</i> for top repairable accumulators, 3000 PSI. <i>Charging and Gauging Assembly</i> for top repairable and standard accumulators, 5000 PSI.
OHCG-3014 OHCG-5014	<i>Head Assembly</i> consisting of adaptor incorporating tank valve, bleeder valve and air chuck (less gauge).
OHCG-3013 OHCG-5013	<i>Gauging and Head Assembly</i> consisting of head assembly plus gauge.

Charging and Gauging Parts List

Description	Part No.	Description	Part No.
1 - Gauge 3000#	OHCG- 3001	6 - Hose	OHCG- 3007
2 - Air Chuck	OHCG- 3002	7 - Gland	OHCG- 3008
3 - Adaptor	OHCG- 3003	8 - Bleeder Valve	OHCG- 3009
4 - Swivel Connection	OHCG- 3004	9 - Nut	OHCG- 3011
5 - Tank Valve	OHCG- 3005		

